

KPEV OSCILLATOR



Specifications

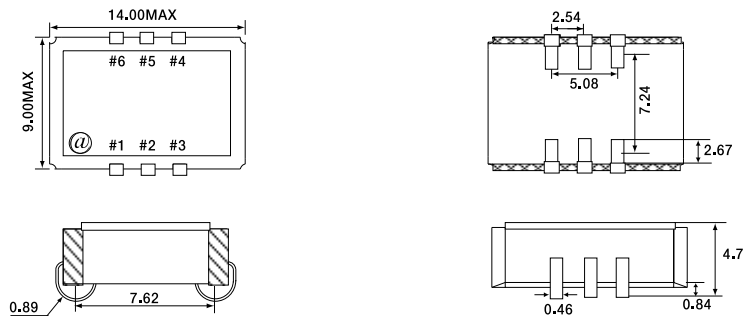
Parameters	Standard	Options
Frequency range	19,440 MHz - 700 MHz	
Logic output	LVPECL	PECL
Frequency stability		
Overall	+ - 50,0 ppm	+ -15,0 ppm best possible
Initial at 25°C	Please specify	
Temperature		
vs supply voltage change		
vs load change		
Aging first year		
Aging over Years		
Operating temperature	0° C ~ +70°C	-20°C ~ +70°C
		-40°C ~ +85°C
		Other on custom request
Storage temperature	-40°C ~ +85°C	-55°C ~ +125°C
Supply voltage	3,3 V ±5%	5,0 V ± 5%
Current	80 mA max	
Load	Vcc-2,0 V into 50 ohms	
Rise/fall time	2 ns max.	
Duty cycle	40/60 %	45/55 %
		Other on custom request
Jitter (12kHz ~20,0 MHz)	< 184,320 MHz : 1ps RMS	Other on custom request
	> 184,320 MHz : 4,5 ps RMS	
Phase noise	Please specify (if required)	
Harmonics		
Sub-harmonics		
Start-up time	10 ms max.	Other on custom request
Linearity	± 10% max.	Other on custom request
Frequency tuning range	± 50 ppm - ± 200 ppm min	Other on custom request
Pulling slope	Positive	Other on custom request
External control voltage	+ 1,65 VDC ±1,65 VDC (3,3V)	+2,5 VDC ±2,5 VDC (5,0V)

KPEV OSCILLATOR

Specifications

Parameters	Standard	Options
Tristate	no tristate	Low or open = enable High = disable
Marking	Freq + Code + Week +Year	
Package	Ceramic J lead 6 pad	

Drawing



Pin configuration	6 pad version
	#1 : Control voltage
	#2 : E/D or NC
	#3 : GND
	#4 : Output
	#5 : Complementary output
	#6 : Vcc